



# **Tank Me Now**

Products and specifications

April 2010

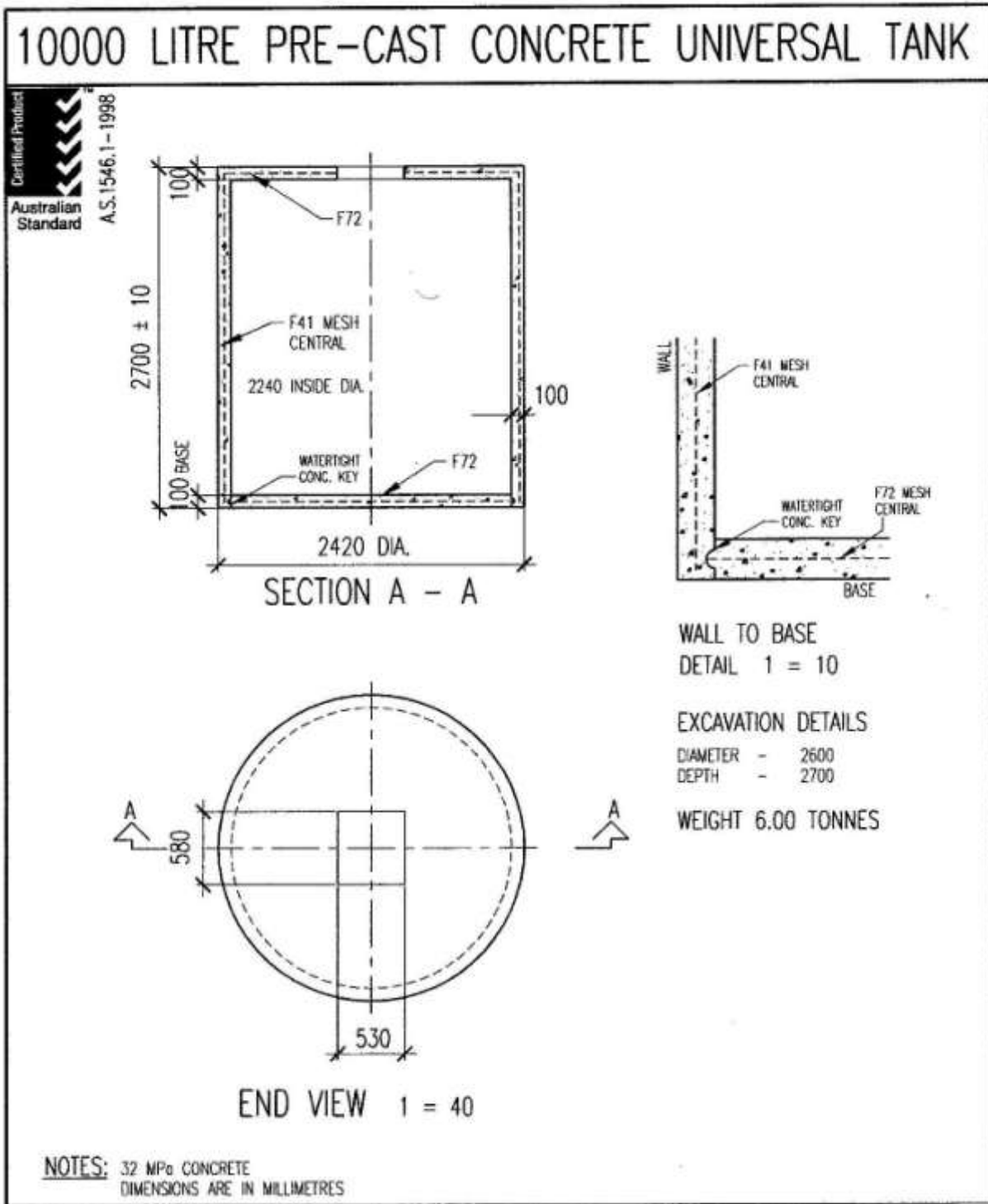
**Des Peachman**

**Ph. 0401 994 945**

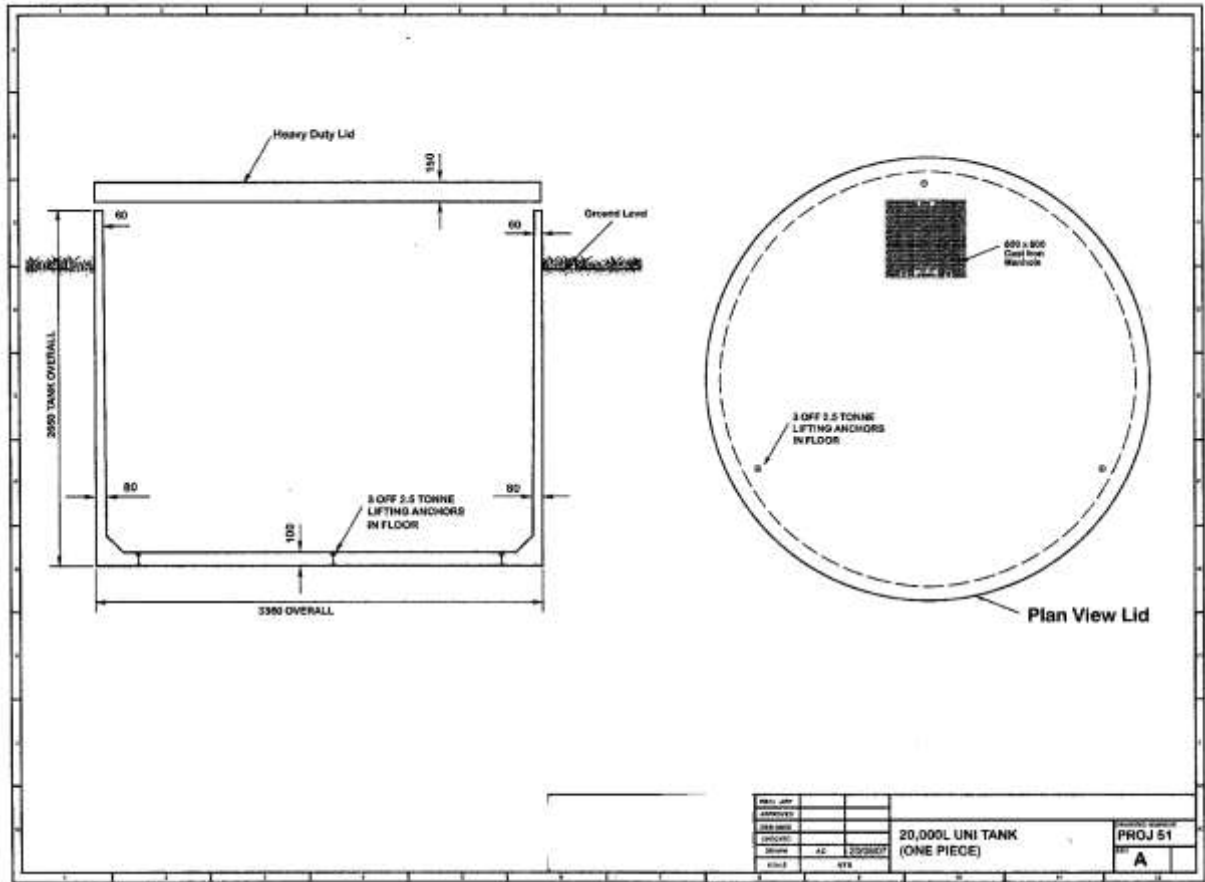
## Table of Contents

|   |    |
|---|----|
| 1. 10,000 litre round water tank .....            | 3  |
| 2. 20,000 litre round universal tank .....        | 4  |
| 3. 21,500 litre round flat bottom tank .....      | 5  |
| 4. 21,500 litre round cone bottom tank .....      | 6  |
| 5. 32,000 litre round water tank .....            | 7  |
| 6. Versatile 11,700 litre square water tank ..... | 8  |
| 7. Versatile 22,500 litre square water tank ..... | 8  |
| 8. Anadex Electronic Tank Level Indicator .....   | 9  |
| 9. DAB Pump Specifications .....                  | 10 |
| 10. Vortex Self Cleaning System.....              | 16 |

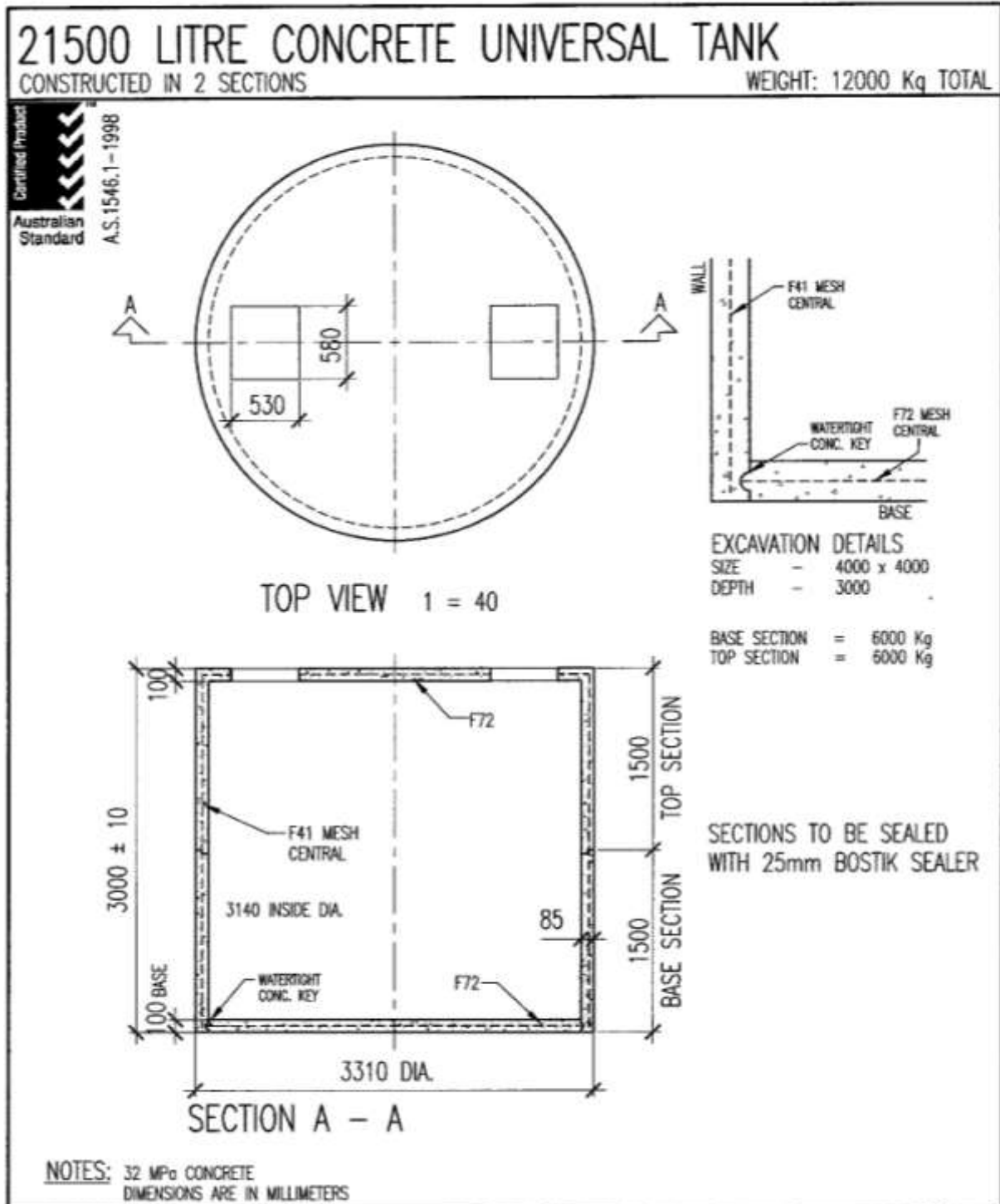
# 1. 10,000 litre round water tank



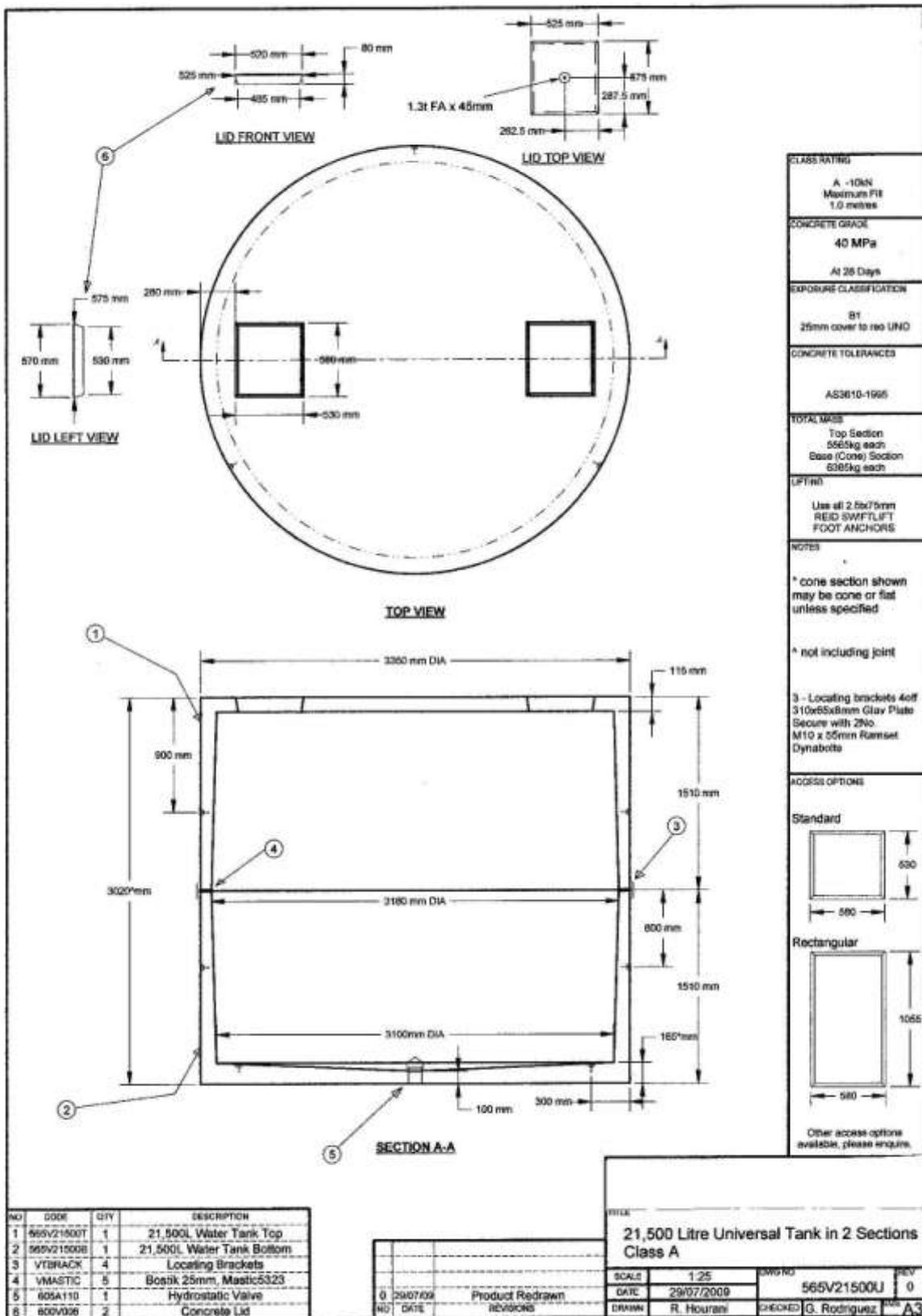
## 2. 20,000 litre round universal tank



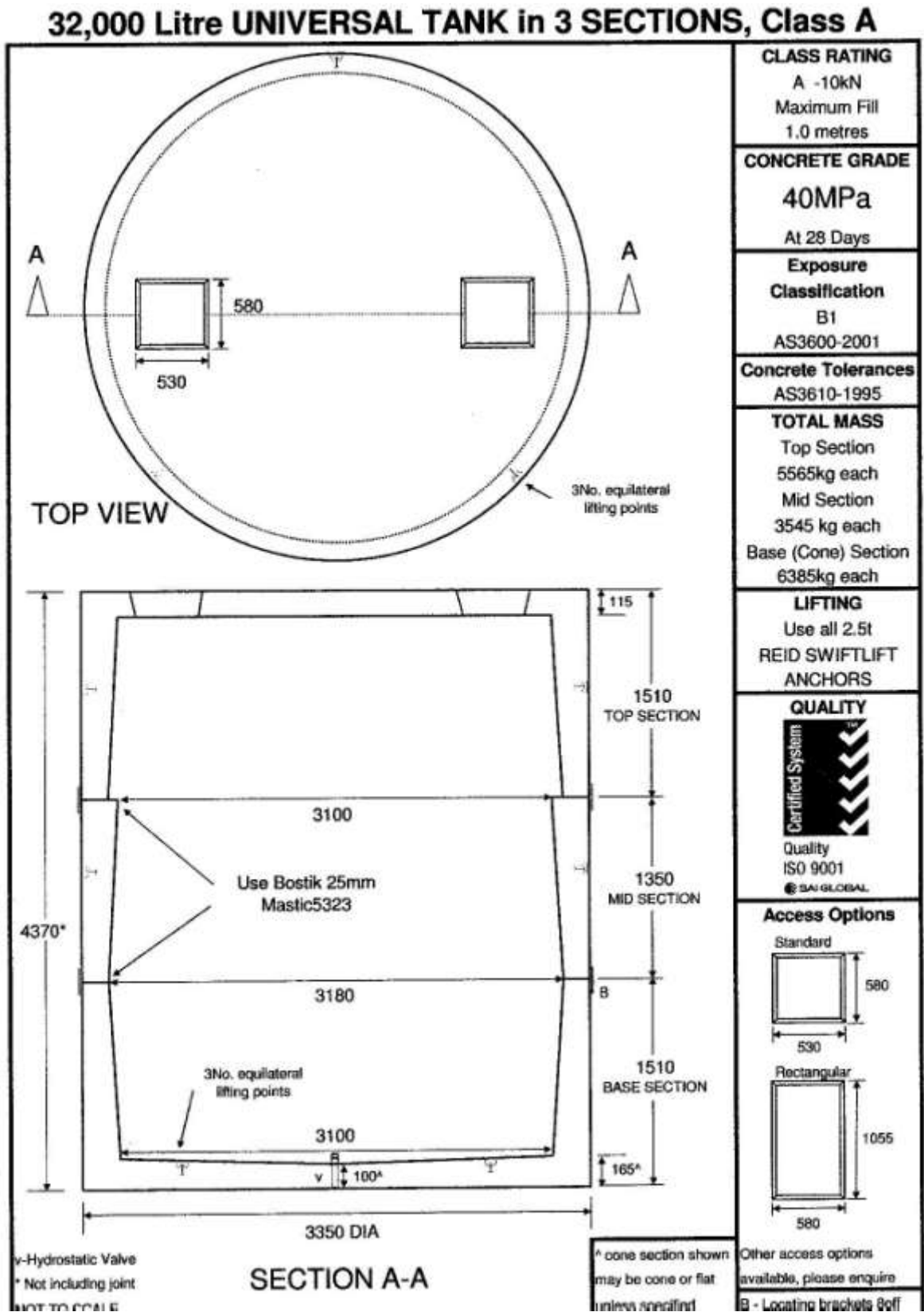
### 3. 21,500 litre round flat bottom tank



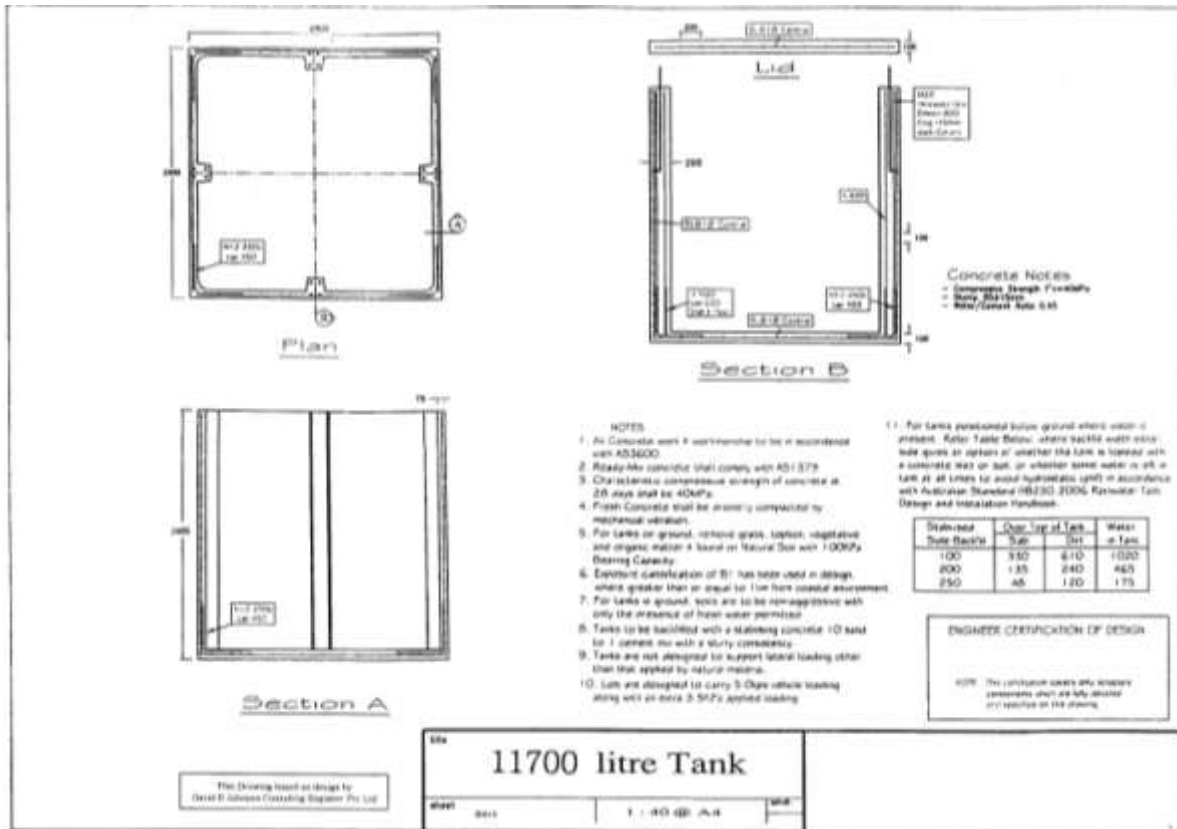
#### 4. 21,500 litre round cone bottom tank



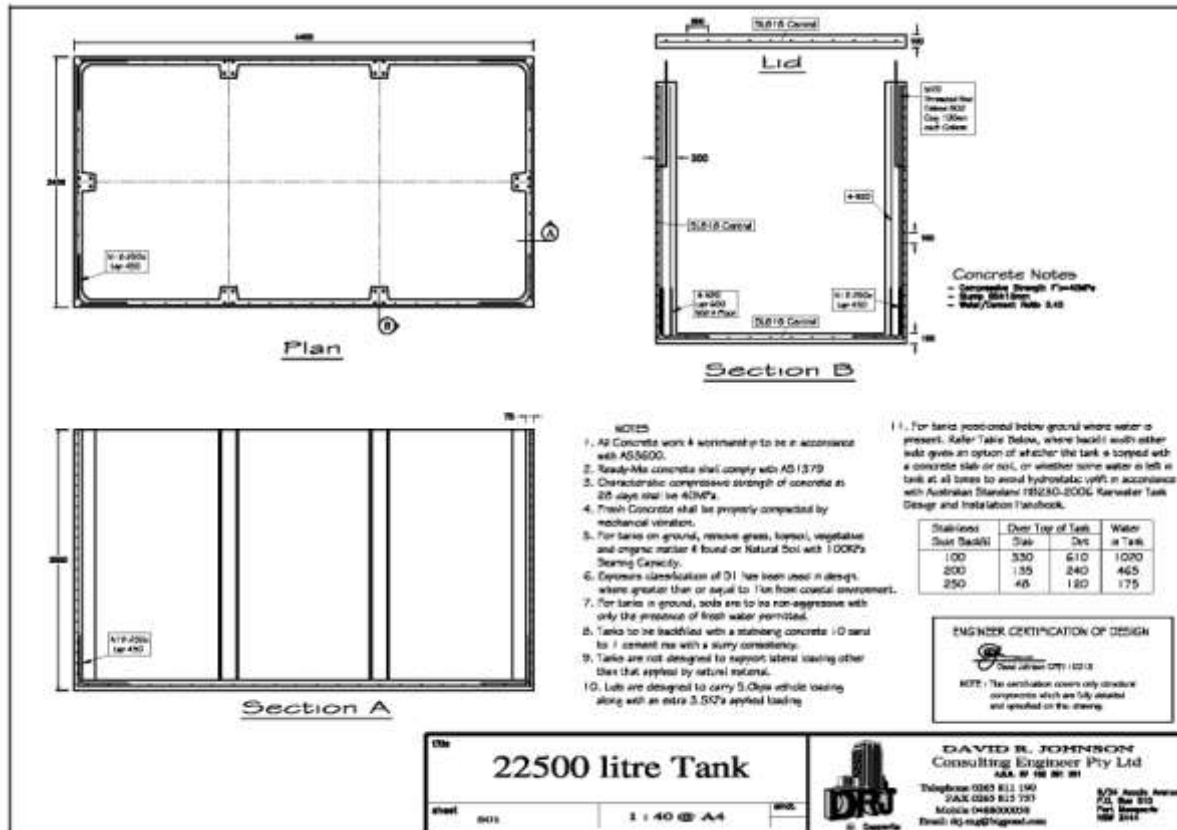
## 5. 32,000 litre round water tank



## 6. Versatile 11,700 litre square water tank



## 7. Versatile 22,500 litre square water tank



## 8. Anadex Electronic Tank Level Indicator

### **Anadex Labs Pty Ltd** Easy water tank level display and control systems

February 2010

We have pleasure in introducing two new products to you.

**CisternGauges** is a simple, reliable method of monitoring the level in any water tank, both above and underground. It requires no batteries or power. The gauge is attractively packaged in a UV resistant enclosure.

The gauge is suitable for tanks up to 3m in height. Each gauge is supplied with 10m of tube but this can be extended to a maximum of 60m.



The second product is a replacement for the Aquameta R1 Kit which has been discontinued. The Aquameta AN5000B Kit is a weather-proof wall mounted unit. It has its own local level display meter which will greatly assist in calibrating the unit. The R1 display unit still forms part of the kit.



The Aquameta AN5000B kit contains the weather-proof wall unit (transmitter) as shown above, the level probe and the ANR1 indoor display (receiver) unit.

Please refer to our website for wholesale pricing and quantity breaks.

[www.anadexlabs.com.au](http://www.anadexlabs.com.au)

ABN 14010 597 047

Tel 07 3822 1180  
Fax 07 3822 9727

## 9. DAB Pump Specifications



**ACTIVE SYSTEM**

*Performances become easy*

ACTIVE IJ

ACTIVE JI

ACTIVE IC

ACTIVE I

ACTIVE EI

ACTIVE EC

**DAB**  
PUMP PEREGRINANDO

The advertisement features a green and yellow background with white curved lines. It displays six different models of DAB pumps, each with a label: ACTIVE IJ, ACTIVE JI, ACTIVE IC, ACTIVE I, ACTIVE EI, and ACTIVE EC. The pumps are arranged in a grid-like pattern. A yellow speech bubble in the upper right corner contains the text 'Performances become easy'. The DAB logo and tagline 'PUMP PEREGRINANDO' are located in the bottom right corner.

# ACTIVE SYSTEM



## GENERAL DATA

Automatic lifting units, particularly suitable for domestic use, small systems for civil, agricultural and industrial use, washing systems and hobby applications.

They are characterised by the use of:

- self-priming motor-driven pumps JET, JETINOX, JETCOM, EUROINOX that can even work when there are bubbles of air or gas. They are essential for drawing from artesian wells or wherever suction difficulties arise.

The EURO - EUROCOM multistage centrifugal pumps are particularly appropriate for low-noise underwater operation.

The **ACTIVE** system helps increase pressure in systems where it is insufficient or irregular.

The **ACTIVE** system is a built-in, easy-to-install, and ready-to-use device which:

- controls it
- commands it automatically
- controls its operation
- limits starts
- guarantees pressure stability inside the hydraulic circuit
- electronically controls starting pressure
- re-starts automatically the system in case of anomalies

## FUNCTIONING

The **ACTIVE** system is a dual-control device featuring an electronic circuit which picks up and processes water pressure and flow data, thereby allowing the pump to work in constantly ideal conditions.

Even with a minimum water draw by a user, it starts the pump after system pressure has dropped to the set value, adjustable by the user (1.5 to 2.5 bar).

In the event of system leaks, dripping, overflows or small water draws, the **ACTIVE** system limits the number of pump starts.

**Hammering is eliminated:** when water is no longer being taken the motor-driven pump is stopped (delayed) when the flow rate is nil. If no water is being sucked up the **ACTIVE** system will **trigger stopping the pump from running dry.**

On returned normal functioning conditions, **ACTIVE** automatically restores operation.

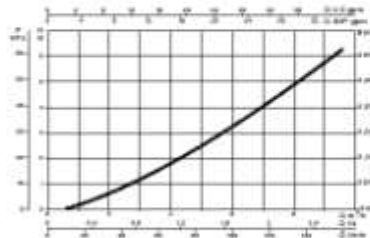
**The ACTIVE system requires no adjustment or maintenance.**

User-friendly control panel to adjust pressure set points and checking operating status with LEDs

Fitting, boosting and release of an acoustic/luminous fault alarm



## DIAGRAM OF PRESSURE LOSSES



## DENOMINATION INDEX

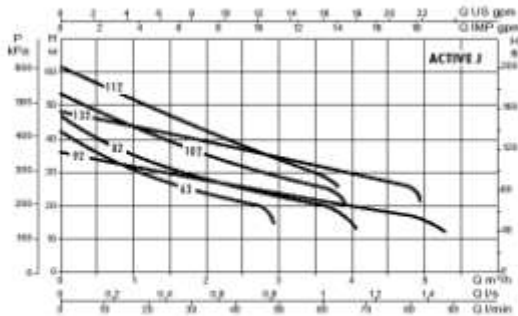
- J (JET CAST IRON)
- JI (JETINOX)
- JC (JETCOM)
- ACTIVE — E (EURO CAST IRON)
- EI (EUROINOX)
- EC (EUROCOM)



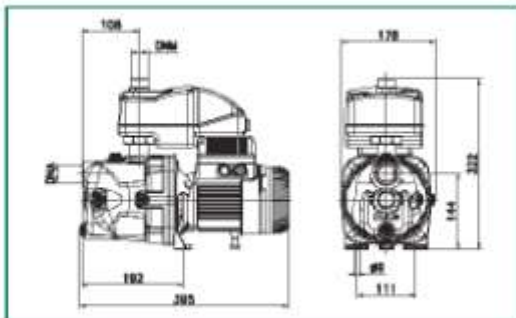
## ACTIVE J



- Automatic self-priming centrifugal pump
- Pump body in cast iron
- Liquid temperature: from -10°C to +35°C for domestic use  
from -10°C to +40°C for other use
- Maximum ambient temperature: +40°C
- Maximum operating pressure: 8 bar (800 kPa)
- Protection level: IP44 (IP55 on the terminal board)
- Insulation class: F



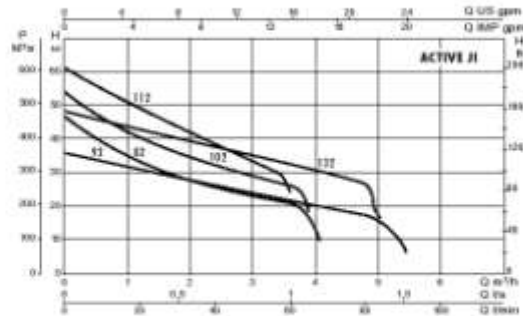
| MODEL          | VOLTAGE<br>50 Hz | P1<br>MAX<br>kW | P2<br>NOMINAL<br>kW | HP   | I <sub>n</sub><br>A | CAPACITOR<br>μF / Vc |
|----------------|------------------|-----------------|---------------------|------|---------------------|----------------------|
| ACTIVE J 82 M  | 1x220-240 V      | 0.720           | 0.44                | 0.6  | 3.12                | 12.5 450             |
| ACTIVE J 82 M  | 1x220-240 V      | 0.800           | 0.6                 | 0.8  | 3.8                 | 12.5 450             |
| ACTIVE J 102 M | 1x220-240 V      | 1.130           | 0.75                | 1    | 5.1                 | 16 450               |
| ACTIVE J 112 M | 1x220-240 V      | 1.400           | 1                   | 1.35 | 6.2                 | 25 450               |
| ACTIVE J 92 M  | 1x220-240 V      | 0.940           | 0.75                | 1    | 4.2                 | 14 450               |
| ACTIVE J 132 M | 1x220-240 V      | 1.400           | 1                   | 1.35 | 6.6                 | 25 450               |



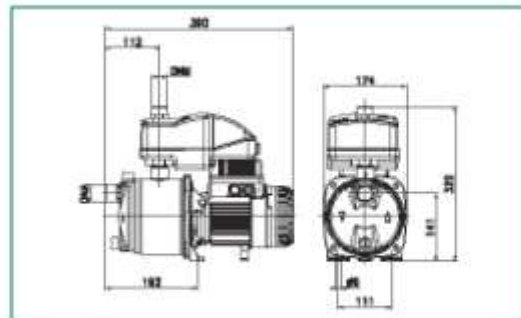
## ACTIVE JI



- Automatic self-priming centrifugal pump
- Pump body in stainless steel
- Liquid temperature: from -10°C to +35°C for domestic use  
from -10°C to +40°C for other use
- Maximum ambient temperature: +40°C
- Maximum operating pressure: 8 bar (800 kPa)
- Protection level: IP44 (IP55 on the terminal board)
- Insulation class: F



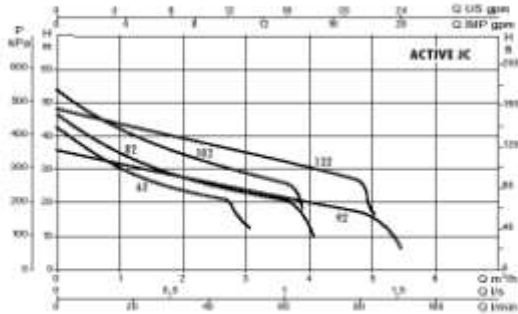
| MODEL           | VOLTAGE<br>50 Hz | P1<br>MAX<br>kW | P2<br>NOMINAL<br>kW | HP   | I <sub>n</sub><br>A | CAPACITOR<br>μF / Vc |
|-----------------|------------------|-----------------|---------------------|------|---------------------|----------------------|
| ACTIVE JI 82 M  | 1x220-240 V      | 0.850           | 0.6                 | 0.8  | 3.8                 | 12.5 450             |
| ACTIVE JI 102 M | 1x220-240 V      | 1.130           | 0.75                | 1    | 5.1                 | 16 450               |
| ACTIVE JI 112 M | 1x220-240 V      | 1.400           | 1                   | 1.35 | 6.2                 | 25 450               |
| ACTIVE JI 92 M  | 1x220-240 V      | 0.940           | 0.75                | 1    | 4.2                 | 14 450               |
| ACTIVE JI 132 M | 1x220-240 V      | 1.400           | 1                   | 1.35 | 6.6                 | 25 450               |



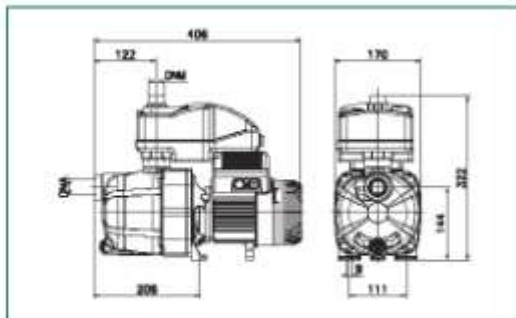
## ACTIVE JC



- Automatic self-priming centrifugal pump
- Pump body in plastic
- Liquid temperature: from -10°C to +35°C for domestic use  
from -10°C to +40°C for other use
- Maximum ambient temperature: +40°C
- Maximum operating pressure: 6 bar (600 kPa)
- Protection level: IP44 (IP55 on the terminal board)
- Insulation class: F



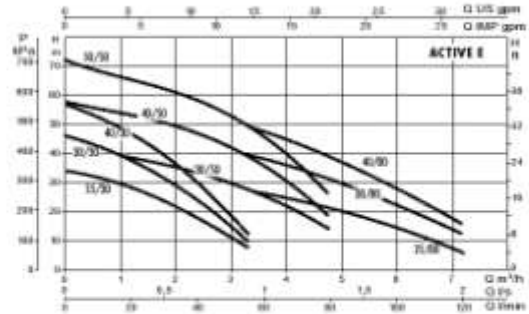
| MODEL           | VOLTAGE<br>50 Hz | P1<br>MAX<br>kW | P2<br>NOMINAL<br>kW | HP   | I <sub>n</sub><br>A | CAPACITOR<br>μF | V <sub>c</sub> |
|-----------------|------------------|-----------------|---------------------|------|---------------------|-----------------|----------------|
| ACTIVE JC 62 M  | 1x220-240 V      | 0.720           | 0.44                | 0.6  | 3.12                | 12.5            | 450            |
| ACTIVE JC 82 M  | 1x220-240 V      | 0.880           | 0.6                 | 0.8  | 3.8                 | 12.5            | 450            |
| ACTIVE JC 102 M | 1x220-240 V      | 1.130           | 0.75                | 1    | 5.1                 | 16              | 450            |
| ACTIVE JC 82 M  | 1x220-240 V      | 0.940           | 0.75                | 1    | 4.2                 | 14              | 450            |
| ACTIVE JC 132 M | 1x220-240 V      | 1.480           | 1                   | 1.38 | 6.6                 | 25              | 450            |



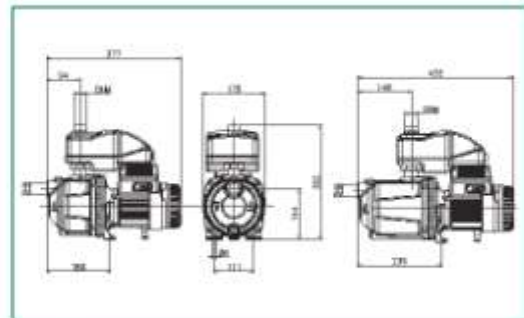
## ACTIVE E



- Horizontal multistage centrifugal pump
- Pump body in cast iron
- Liquid temperature: from -10°C to +35°C for domestic use  
from -10°C to +40°C for other use
- Maximum ambient temperature: +40°C
- Maximum operating pressure: 8 bar (800 kPa)
- Protection level: IP44 (IP55 on the terminal board)
- Insulation class: F



| MODEL            | VOLTAGE<br>50 Hz | P1<br>MAX<br>kW | P2<br>NOMINAL<br>kW | HP   | I <sub>n</sub><br>A | CAPACITOR<br>μF | V <sub>c</sub> |
|------------------|------------------|-----------------|---------------------|------|---------------------|-----------------|----------------|
| ACTIVE E 25/30 M | 1x220-240 V      | 0.520           | 0.37                | 0.5  | 2.4                 | 10              | 450            |
| ACTIVE E 30/30 M | 1x220-240 V      | 0.720           | 0.45                | 0.6  | 3.2                 | 10              | 450            |
| ACTIVE E 40/30 M | 1x220-240 V      | 0.880           | 0.55                | 0.75 | 3.9                 | 12.5            | 450            |
| ACTIVE E 30/50 M | 1x220-240 V      | 0.880           | 0.55                | 0.75 | 3.9                 | 12.5            | 450            |
| ACTIVE E 40/50 M | 1x220-240 V      | 1.200           | 0.8                 | 1.1  | 5.3                 | 20              | 450            |
| ACTIVE E 50/50 M | 1x220-240 V      | 1.480           | 1                   | 1.38 | 6.3                 | 25              | 450            |
| ACTIVE E 25/80 M | 1x220-240 V      | 0.880           | 0.55                | 0.75 | 3.9                 | 12.5            | 450            |
| ACTIVE E 30/80 M | 1x220-240 V      | 1.200           | 0.8                 | 1.1  | 5.3                 | 20              | 450            |
| ACTIVE E 40/80 M | 1x220-240 V      | 1.480           | 1                   | 1.38 | 6.3                 | 25              | 450            |

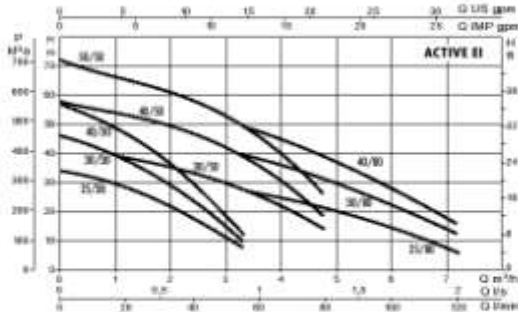


## ACTIVE EI

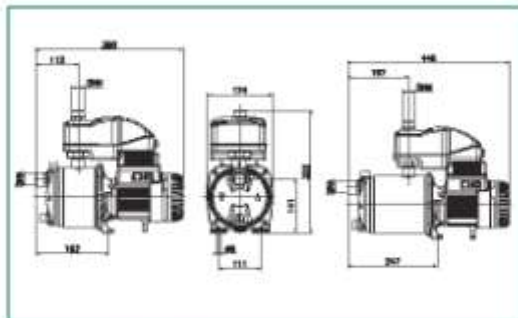
Self-priming



- Horizontal multistage centrifugal pump
- Pump body in stainless steel
- Liquid temperature: from -10°C to +35°C for domestic use  
from -10°C to +40°C for other use
- Maximum ambient temperature: +40°C
- Maximum operating pressure: 8 bar (800 kPa)
- Protection level: IP44 (IP55 on the terminal board)
- Insulation class: F



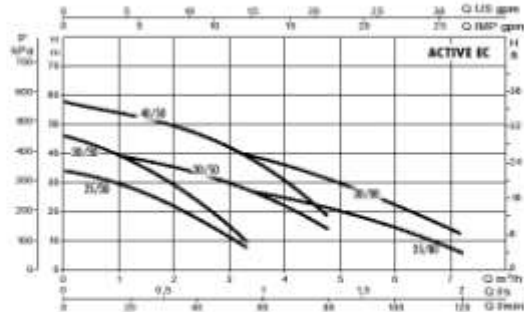
| MODEL             | VOLTAGE<br>50 Hz | P1<br>MAX<br>kW | P2<br>NOMINAL<br>kW | HP   | In<br>A | CAPACITOR<br>µF | Vc  |
|-------------------|------------------|-----------------|---------------------|------|---------|-----------------|-----|
| ACTIVE EI 25/30 M | 1x220-240 V      | 0,520           | 0,37                | 0,5  | 2,4     | 10              | 450 |
| ACTIVE EI 30/30 M | 1x220-240 V      | 0,720           | 0,45                | 0,6  | 3,2     | 10              | 450 |
| ACTIVE EI 40/30 M | 1x220-240 V      | 0,880           | 0,55                | 0,75 | 3,9     | 12,5            | 450 |
| ACTIVE EI 30/50 M | 1x220-240 V      | 0,880           | 0,55                | 0,75 | 3,9     | 12,5            | 450 |
| ACTIVE EI 40/50 M | 1x220-240 V      | 1,200           | 0,8                 | 1,1  | 5,3     | 20              | 450 |
| ACTIVE EI 50/50 M | 1x220-240 V      | 1,480           | 1                   | 1,35 | 6,3     | 25              | 450 |
| ACTIVE EI 25/80 M | 1x220-240 V      | 0,880           | 0,55                | 0,75 | 3,9     | 12,5            | 450 |
| ACTIVE EI 30/80 M | 1x220-240 V      | 1,200           | 0,8                 | 1,1  | 5,3     | 20              | 450 |
| ACTIVE EI 40/80 M | 1x220-240 V      | 1,480           | 1                   | 1,35 | 6,3     | 25              | 450 |



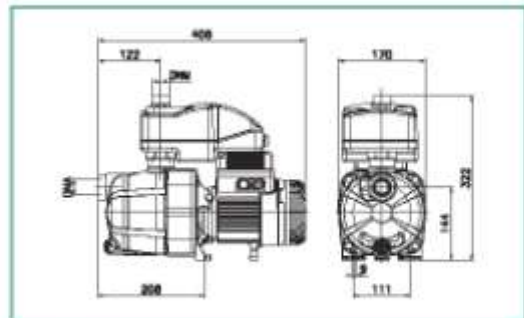
## ACTIVE EC



- Horizontal multistage centrifugal pump
- Pump body in plastic
- Liquid temperature: from -10°C to +35°C for domestic use  
from -10°C to +40°C for other use
- Maximum ambient temperature: +40°C
- Maximum operating pressure: 6 bar (600 kPa)
- Protection level: IP44 (IP55 on the terminal board)
- Insulation class: F



| MODEL             | VOLTAGE<br>50 Hz | P1<br>MAX<br>kW | P2<br>NOMINAL<br>kW | HP   | In<br>A | CAPACITOR<br>µF | Vc  |
|-------------------|------------------|-----------------|---------------------|------|---------|-----------------|-----|
| ACTIVE EC 25/30 M | 1x220-240 V      | 0,520           | 0,37                | 0,5  | 2,4     | 10              | 450 |
| ACTIVE EC 30/30 M | 1x220-240 V      | 0,720           | 0,45                | 0,6  | 3,2     | 10              | 450 |
| ACTIVE EC 40/30 M | 1x220-240 V      | 0,880           | 0,55                | 0,75 | 3,9     | 12,5            | 450 |
| ACTIVE EC 30/50 M | 1x220-240 V      | 0,880           | 0,55                | 0,75 | 3,9     | 12,5            | 450 |
| ACTIVE EC 40/50 M | 1x220-240 V      | 1,200           | 0,8                 | 1,1  | 5,3     | 20              | 450 |
| ACTIVE EC 25/80 M | 1x220-240 V      | 0,880           | 0,55                | 0,75 | 3,9     | 12,5            | 450 |
| ACTIVE EC 30/80 M | 1x220-240 V      | 1,200           | 0,8                 | 1,1  | 5,3     | 20              | 450 |





DAB PUMPS Spa - Via Marco Polo, 14 - 35035 Montebelluna PADOVA - Italy - Tel. +39-049-9048811 r.a. - Fax +39-049-9048847 - [www.dabpumps.com](http://www.dabpumps.com)

**Sales Export dept.:**  
Ph. +39-049-9048895-96-97  
Fax +39-049-9048900

**Customer Technical Assistance:**  
Ph. +39-049-9048911-12-14  
Fax +39-049-9048920

## 10. Vortex Self Cleaning System

**Polymaster** PTE. LTD.  
ROTATIONAL MOULDED PRODUCTS

161 Karinie Street, Swan Hill, Vic. 3585  
Phone : (03) 5033 9000  
Fax : (03) 5033 0224  
Freecall Telephone : 1800 062 064

Quality Certified Company ISO 9001

# Vortex Fine Filter

### Unique Innovative Rainwater Filtering by Vortex Adhesion For Underground Tank Storage

**WFF300**  
for Roof Areas of up to 3000 sq. metres

**WFF100**  
for Roof Areas of up to 200 sq. metres

**WFF150**  
for Roof Areas of up to 500 sq. metres

Vortex shown with 2250 litre underground tank

- Capture more than 90% while cleaning your filter as well
- Harvest up to 16 litres per second.
- Filtering to 0.44mm all by gravity
- Intended for below ground installation
- Withstands up to 30 tonne vehicles

**Typical Installation**

Tough Polypropylene Lid  
Upper Ring  
Rainwater Inlet (Swivels 360°)  
Fine filter insert  
Filtered water to tank  
Excess Water/Debris out to S/Water

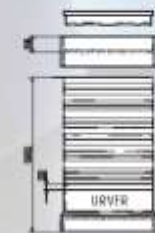
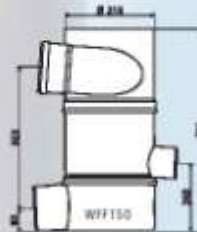
## How the Vortex Filter works

The WISY Vortex Fine Filter (WFF), is intended for installation below ground. There, connected to a horizontal drain pipe, it filters the roof area rainwater which is then transferred to a cistern.

- Fitted to a horizontal drain pipe, the WFF filters and diverts the rainwater to a storage tank. The incoming rainwater runs out of the horizontal drain pipe into the side of the WFF and is then led in a vortex to the filter housing below. There the rainwater is drawn through the vertically placed fine filter by adhesion and is led through the outlet to the storage area, whilst the dirt is rinsed away with the remaining water into the drain. More than 90% of the rainwater entering the WFF is filtered and collected by this principle.
- Particles large than .44mm are directly rinsed away into the drain.
- With the optional blind insert (accessory) the collection and filtering of the appliance can be stopped. The rainwater from the roof then flows directly into the drain (for maintenance etc.).
- If necessary (for deeper underground installation) an extension pipe can be installed up to ground level (accessory).
- The rainwater inlet can be turned 360° in relation to the lower part. The central drain outlet is vertical so that pipes can be connected in any direction.

### MAINTENANCE

The housing to the WFF is maintenance-free. It consists of non-corrosive plastic. The filter mesh is virtually self-cleaning by the action of water flowing over the vertical mesh. Nevertheless a thin film will build up on the mesh over a period of time. Usually this does not effect the efficiency of the appliance, but we nevertheless recommend taking out the filter insert from time to time and spraying any pores that have become clogged from the inside with a strong jet of water (garden spray or high-pressure cleaner). Cleaning can also be carried out by hand with the help of a small brush (not a wire brush) and normal washing up liquid.



Optional extension piece

## Ideal companions to the Vortex Filter

### UMFO - Multi Functional Overflow

- drain smell elimination
- protection against vermin entry
- backflow prevention
- skimming effect



### USI - Smoothing Inlet

- Prevents sediment turbidity
- Oxygenates water in tank



### URFF1 - Floating Fine Filter

- final in-tank filtration

**Polymaster** PVT. LTD.  
ROTATIONAL MOULDED PRODUCTS

Distributor

for our complete range ask for our 36 page handbook